

... for a safe journey in elevator cabins without car doors.



cegard/Lift LX/LY

Safety system for elevator cars without car doors



EN 954

Description

The protective light curtain **cegard/Lift LX / LY** is designed to be installed in elevators where the lift car has no doors. It is approved by TÜV in Germany according to the TRA 200, which specifies a type 2 ESPS (electro-sensitive protective system with built in self test).

cegard/Lift is an alternative to the extensive work of fitting doors on an existing elevator installation which normally heavily reduces both volume and performance.

As **cegard/Lift** in operation uses up to 46 (optional 70) beams, the optical resolution and consequently safety is thereby heavily increased.

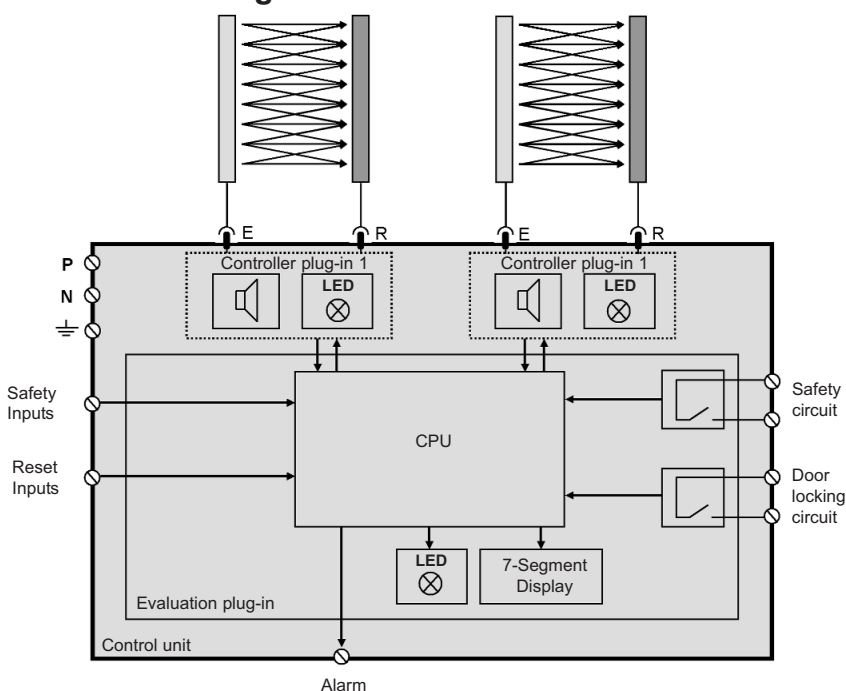
The optional mounting kits can be supplied as either a surface mounted model or as a back wall model. The latter has the advantage that the existing net door width can be maintained. The system is designed to survey one or two lift accesses.

cegard/Lift can be easily connected to almost all existing elevator controllers without the need for additional elevator cables to be installed.

Functions

- According to EN 62061: 2005, EN 61496-1, EN 61496-2: 2006 BWS type 2
- Perfectly suited for modernizations in elevators without car doors
- Simple integration with current elevator controllers
- Safety technical monitoring of light curtain and signals (from / to elevator controller)
- Monitoring of one or two elevator door-ways
- No adjustments or optical alignment necessary
- Simple mounting
- Self-calibrating

Block circuit diagram

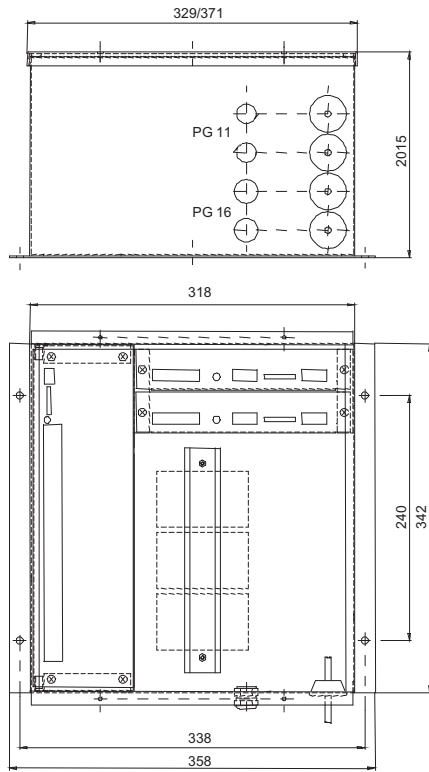


Technical Data

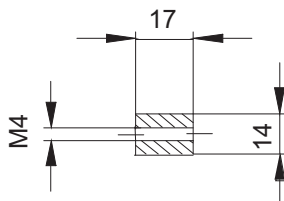
Power supply	195 ... 265 VAC
Current consumption	< 200 mA
<i>Outputs</i>	
- Alarm	24V / 100 mA
- Safety circuit	two channel Relay 230 VAC / 4 A
- Door locking circuit	LX: Door lock contactor 380 VAC / 16 A LY: Rectifier 230 VDC / 3 A
Response time output	< 150 ms, typ. 100 ms
<i>Inputs</i>	
- Safety inputs	12 ... 380 VAC / DC
- Reset inputs	12 ... 265 VAC / DC
<i>Optical edges</i>	
Cable length	6 m
Operating range	0.7 ... 4.0 m
No. of light beams	46 beams
Detection zone	1'630 mm
<i>Enclosure rating</i>	
- Control unit	IP 54
- Optical edges	IP 65
<i>Temperature range</i>	
- Operation	+10° ... +65°C
- Operation below +10°C	cegard/Lift LX/LY IP67

Technical drawing cegard/Lift LX, LY

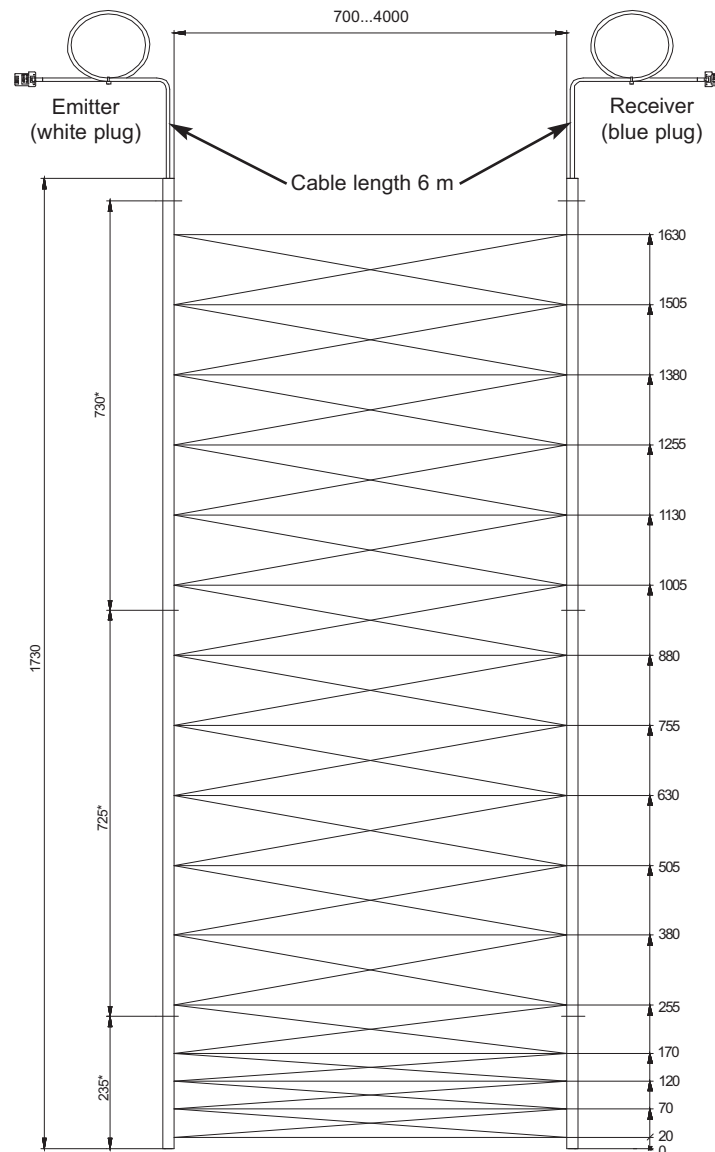
Robust control unit



Cross section of optical edge



Optional: Through hole



* = Mounting holes \varnothing 4.5 mm

Optional: • 70 beams
• Operating range 4 ... 8 m

(All dimensions in mm)

Order Information

Part No.	Type	Description
101 070	cegard/Lift LX	Control unit incl. safety interface for one lift car entry with power switch 3 x 380 VAC / 16 A
101 071	cegard/Lift LX	Control unit incl. safety interface for two lift car entry with power switch 3 x 380 VAC / 16 A
101 384	cegard/Lift LY	Control unit incl. safety interface for one lift car entry for DC bolt magnets 230 VDC / 3 A
101 385	cegard/Lift LY	Control unit incl. safety interface for two lift car entry for DC bolt magnets 230 VDC / 3 A
101 072	cegard/Lift	Pair of optical edges, range 0.7 ... 4.0 m
101 073	cegard/Lift	Pair of optical edges, range 4.0 ... 8.0 m
100 847	Accessory	Mounting kit for back wall mounting, including drill pattern, drill, (stainless steel, painted yellow-black)
100 848	Accessory	Mounting kit for surface mounting inside the car, including drill pattern, drill, (stainless steel, painted yellow-black)
100 849	Accessory	Alarm buzzer for indicating emergency stop, surface mounted

Special design i.e. range 0.4 ... 1.5 m, other geometry of the optical edges, higher temperature range on demand!

110721 Part No. 001 010 E

CEDES reserves the right to modify or change technical data without notice.