

TOF/Spot

Technical data

FEATURES

- ▶ Time-of-Flight (TOF) sensor
- ▶ Exact distance setting, independent from background
- ▶ Excellent detection capability
- ▶ Solid-state relay and analog output
- ▶ Small and sleek design
- ▶ Operating range from 0.2 m up to 6 m
- ▶ Easy mounting
- ▶ Insensitive to ambient light up to 100,000 Lux



OPTICAL

Operating range	
- P, C, T and A types	0.2 ... 6 m
- N type	0.2 ... 3 m
Active light spot at 2 m distance	40 mm × 40 mm
Offset	
- C and T types	0.15 m
Measurement precision	±5% at 2 m ±10 cm over the whole range
Max. ambient light	100,000 Lux

MECHANICAL

Dimensions	Ø 29.5 mm × 35.8 mm
Housing material	Polycarbonate
Housing color	Black
Enclosure rating	IP65
Temperature range	-40 °C ... +60 °C
Relative humidity (non-condensing)	0 ... 95 %C

ELECTRICAL

Supply voltage U_{Sp}	10 ... 30 VDC / 12 ... 24 VAC
Current consumption at 24 VDC	50 mA
Peak current consumption during power up at 24 VDC	500 mA
Output	Solid-state relay, analog
Max. switching voltage	60 V
Max. switching current	150 mA
Max. power-up time	1 s
Max. response time	60 ms
Test response time	5 ms

CONNECTION CABLE AND ELECTRICAL CONNECTION

Length	2 m
Diameter	Ø 3.4 mm
Material	PVC, black
Wires	AWG26
• brown	+ U_{Sp}
• black	Output A / Analog output
• green	Output B / Analog GND
• blue	GND (0 V) / - U_{Sp}
• white	Test input
• gray	Logic selector

GENERAL

EMC emission	EN 12015:2014
EMC immunity	EN 12016:2013
Vibration	IEC 60068-2-6:2007
Shock	IEC 60068-2-27:2008
RoHS	2011/65/EU
Certificate	CE

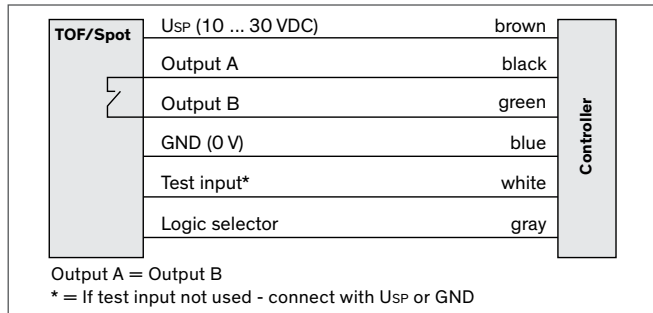


CEDES AG is certified according to ISO 9001: 2015.

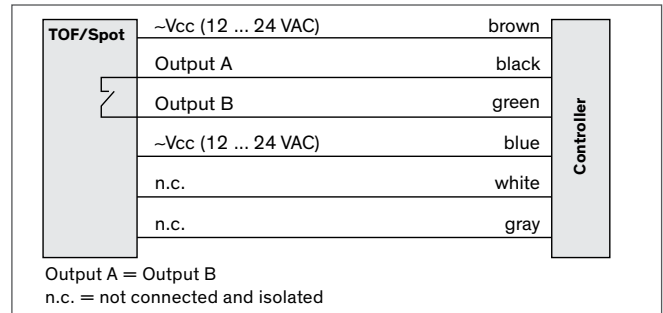
P = Preset, C = Automatic calibration, N = Potentiometer, A = Analog,
T = Teach-in button

Output connections

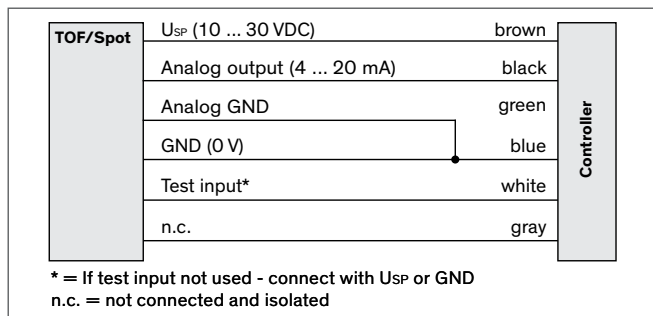
Solid state relay output (DC supply)



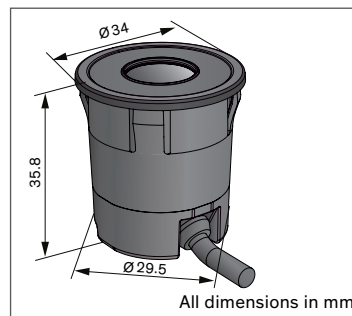
Solid state relay output (AC supply)



Analog output (DC supply)

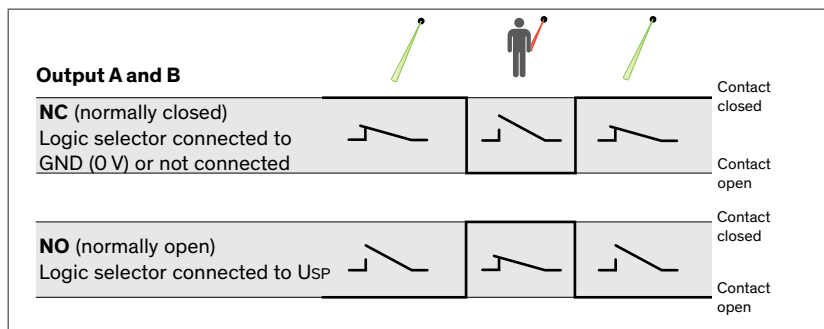


Dimensions

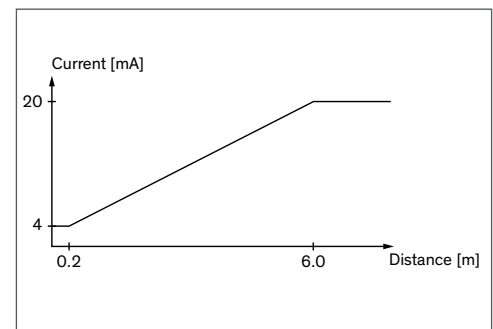


Output description

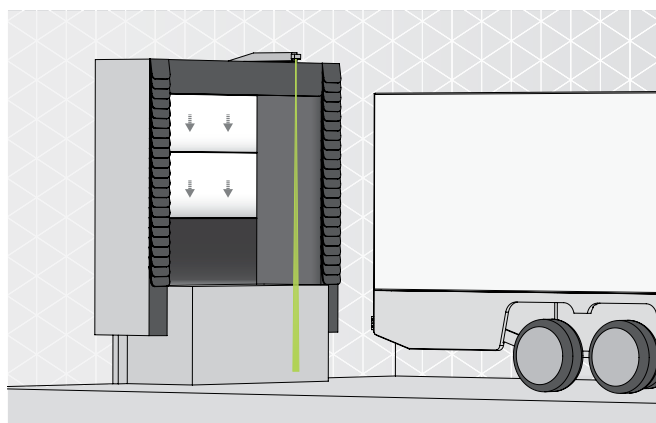
Solid state relay output



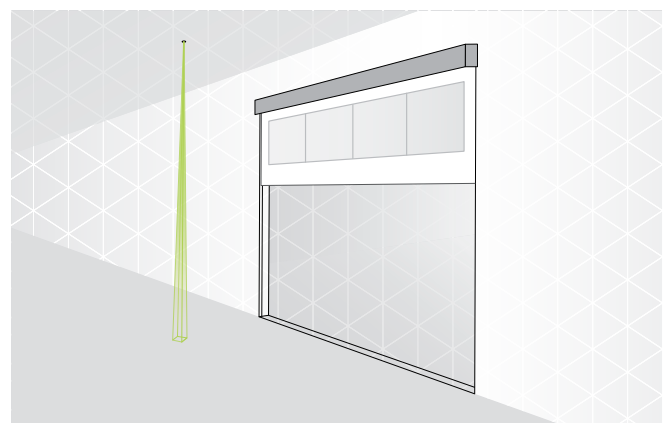
Analog output



Application examples



Truck detection in loading bay



Replaces 'pull-string' door opening