

TLS 600

Technical data

FEATURES

- ▶ Infrared reflective technology
- ▶ Small and sleek design
- ▶ Excellent detection capability
- ▶ PNP or NPN output
- ▶ Operating range up to 4 m
- ▶ Easy mounting
- ▶ Insensitive to direct sunlight up to 100,000 Lux



OPTICAL

Max. operating range (on Kodak white)	4 m
Detection area at 2 m distance	860 mm × 280 mm
Min. distance to background	0.2 m
Adjustable recalibration time	3 ... 180 s
Max. ambient light	100,000 Lux

MECHANICAL

Dimensions (w × h × d)	62 × 18 × 32 mm
Housing material	Polycarbonate, ABS
Housing color	Black
Enclosure rating	IP40
Temperature range	-20°C ... +60°C
Mounting bracket - angle adjustment	0° ... 20°

ELECTRICAL

Supply voltage U _{Sp}	10 ... 30 VDC
Max. current consumption at 24 VDC	40 mA
Output	PNP or NPN
Max. response time	150 ms

CONNECTION CABLE AND ELECTRICAL CONNECTION

Length	2 m
Diameter	Ø 3.4 mm
Material	PVC, black
Connection	4 wires
Wires	AWG26
• brown	U _{Sp}
• blue	GND (0 V)
• black	Output
• white	Test input

GENERAL

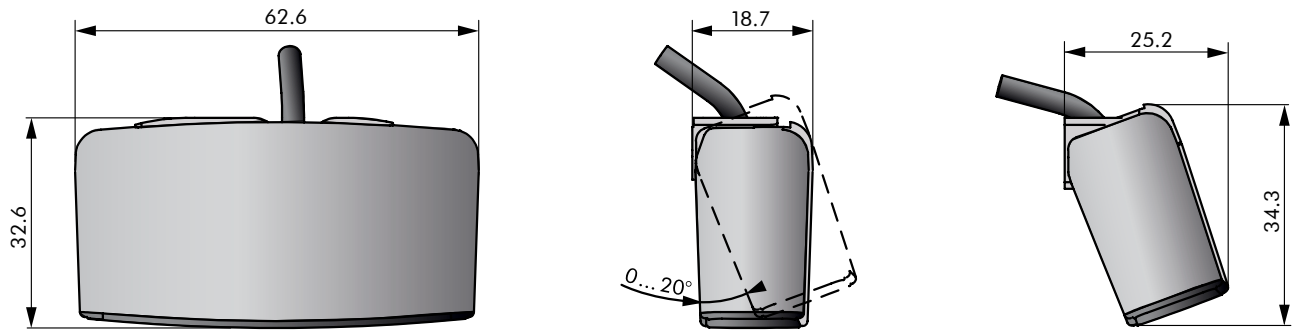
EMC emission	EN 61000-6-3:2007
EMC immunity	EN 61000-6-2:2005
Vibration	IEC 60068-2-6:2007
Shock	IEC 60068-2-27:2008
RoHS	2011/65/EU
Certificate	CE



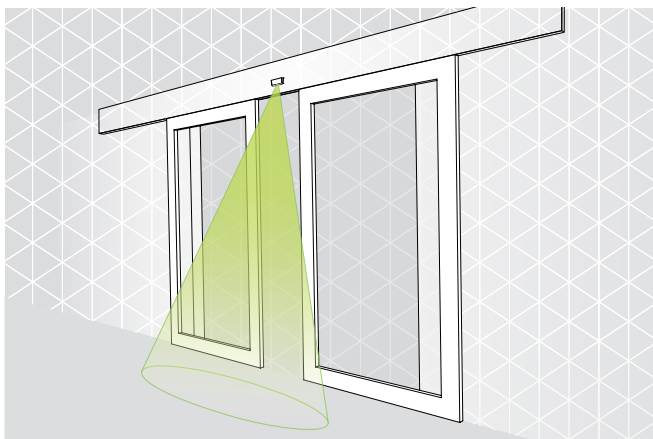
CEDES AG is certified according to ISO 9001: 2015

Dimensions

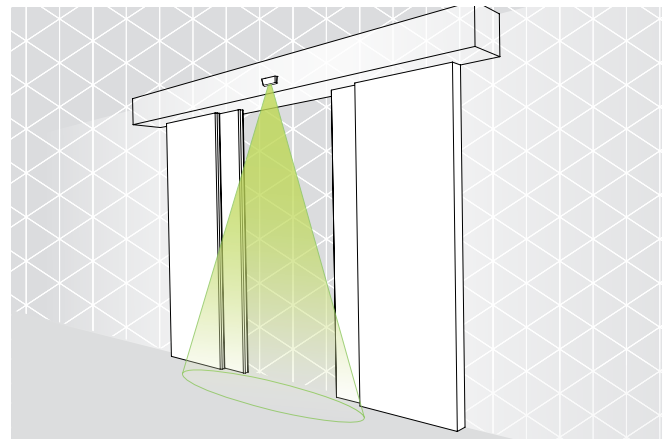
All dimensions in mm
Proportions not to scale



Applications



Sliding door (angled mounting)



Telescopic door (vertical mounting)