

... for a safe journey
in elevator cars without
car doors.



cegard/Lift LI

Testable safety light curtain for
elevator cars without car doors



Description

The protective light curtain **cegard/Lift LI** is designed to be installed in elevators where the elevator car has no doors. It is approved by TÜV in Germany according to the TRA 200, which specifies a type 2 ESPS (electro-sensitive protective system with integrated self-testing).

cegard/Lift is an alternative to the extensive work of fitting doors on an existing elevator installation which normally heavily reduces both volume and performance.

As **cegard/Lift** in operation uses up to 46 (optional 70) beams, the optical resolution and consequently safety is thereby heavily increased.

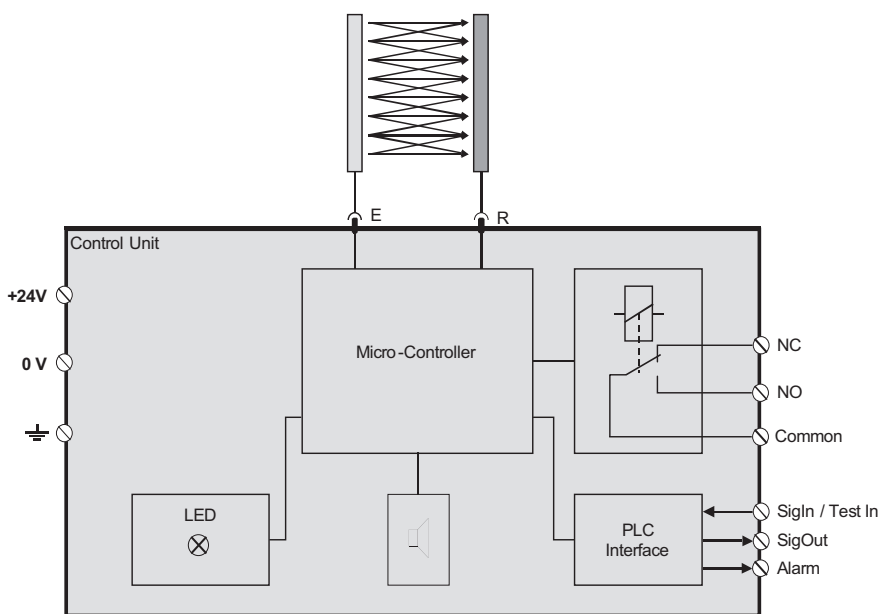
The optional mounting kits can be supplied as either a surface mounted model or as a back wall model. The latter has the advantage that the existing net door width can be maintained. The system is designed to survey one or two lift accesses.

cegard/Lift can be easily connected to almost all existing elevator controllers without the need for additional elevator cables to be installed.

Features

- Tested acc. to EN 62061: 2005, EN 61496-1, EN 61496-2: 2006 BWS type 2
- Absolutely ideal for use in elevator cabins without car doors
- Simple installation and integration with existing elevator controllers
- Test input enables the testing of the system (EN 954-1)
- No adjustments or optical alignment necessary
- Simple mounting
- Robust and compact design
- Self-calibrating

Block circuit diagram



Technical Data

Supply voltage	24 VDC \pm 20 %
Current consumption	< 150 mA
<i>Outputs by interrupted light beam</i>	
- Relay	change-over contact 24V / 1 A
- 2 semiconductor outputs	PNP 100 mA, short circuit proof buzzer 4 kHz
- Accoustic signal	buzzer 4 kHz
Response time output	< 80 ms typ. 50 ms
<i>Input</i>	
- Test	0 ... 3 VDC "Low" 10 ... 30 VDC "High"
<i>Optical edges</i>	
Cable length	6 m
Operating range	0.7 ... 4.0 m
Active protection field	1'630 mm
No. of light beams	46 beams
<i>Enclosure rating</i>	
- Control unit	IP20
- Optical edges	IP65
<i>Temperature range</i>	
- Operation	+10° ... +65°C
- Operation below +10°C	cegard/Lift LI, IP67

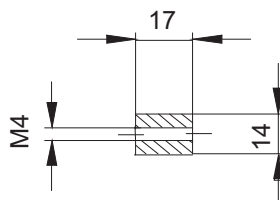
Technical drawing cegard/Lift LI

Robust control unit

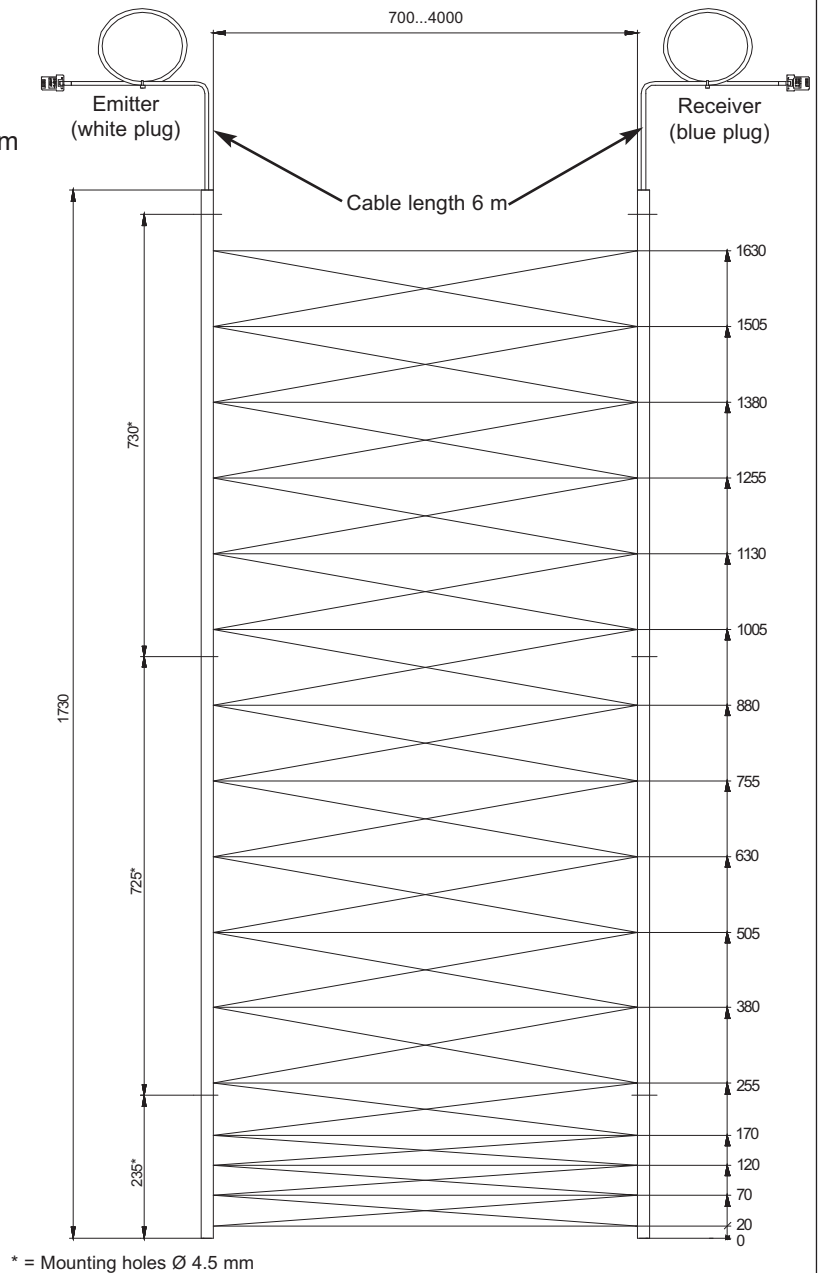
Space required L x W x D = 200 x 120 x 45 mm



Cross section of the optical edge



Optional: Through hole



* = Mounting holes \varnothing 4.5 mm

- Optional:
- 70 beams
 - Operating range 4 ... 8 m

(All dimensions in mm)

Order information

Part No.	Type	Description
100 891	cegard/Lift LI	Complete system with control unit, emitter and receiver edges 0.7 - 4.0 m
100 892	cegard/Lift LI	Complete system with control unit, emitter and receiver edges 4.0 - 8.0 m
100 847	Accessory	Mounting kit for flush mounting, including drill pattern, drill, (stainless steel, painted yellow-black)
100 848	Accessory	Mounting kit for surface mounting inside cabin, including drill pattern, drill, (stainless steel, painted yellow-black)
100 849	Accessory	Alarm unit to indicate emergency stop, surface mounted

Other configurations on demand, for example optical edges with 24 elements, other active protection fields or cable lengths

110721 Part No. 001 011 E

CEDES reserves the right to modify or change technical data without notice.