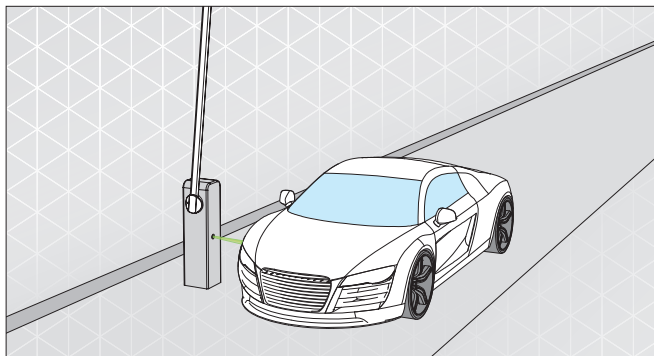


# CAR PARK BARRIERS

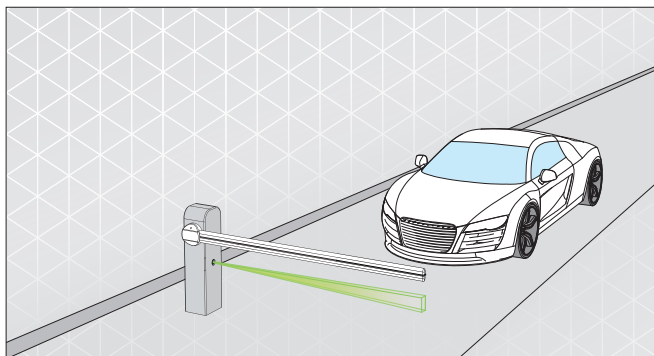
## TOF/Spot

### APPLICATION

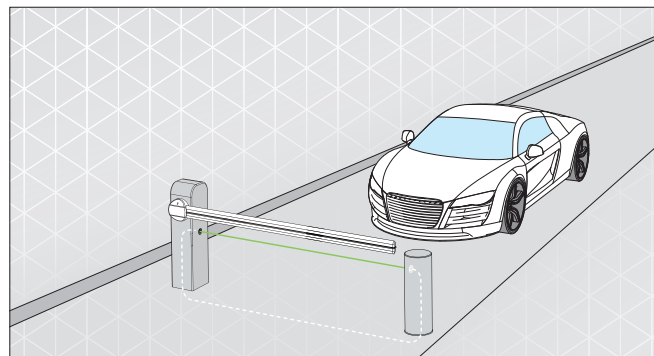


The TOF/Spot's very compact design means easier and more efficient installation in car park barrier applications. It prevents the barrier lowering if a car is still underneath. Its TOF camera can set a precise detection distance. The TOF/Spot eliminates the need for a separate receiver, as required by a single-beam sensor. As only one part has to be connected to the control unit, there is no need for additional housing and cabling. This means much more efficient installation.

### SENSOR



Car park barrier with TOF/Spot sensor



Car park barrier with single beam sensor

### BENEFITS

- ▶ Reduced installation time
- ▶ No cabling from one side to the other required
- ▶ Road surface does not have to be broken/replaced
- ▶ High detection reliability
- ▶ Range is adjustable up to 3 m, independent of barrier length

### FEATURES

- ▶ Exact distance setting, independent from background
- ▶ Excellent detection capability, independent from surface
- ▶ Compact and sleek design
- ▶ Easy mounting

### ORDERING INFORMATION

PART NO.	PART NAME
115 095	TOF/Spot-car detection
114 874	Shipping kit TOF/Spot outdoor housing

