

... for a safe journey in elevator cabins without car doors.



cegard/Lift LX/LY

Safety system for elevator cars without car doors



Description

The protective light curtain **cegard/Lift LX / LY** is designed to be installed in elevators where the lift car has no doors. It is approved by TÜV in Germany according to the TRA 200, which specifies a type 2 ESPS (electro-sensitive protective system with built in self test).

cegard/Lift is an alternative to the extensive work of fitting doors on an existing elevator installation which normally heavily reduces both volume and performance.

As **cegard/Lift** in operation uses up to 70 (optional 46) beams, the optical resolution and consequently safety is thereby heavily increased.

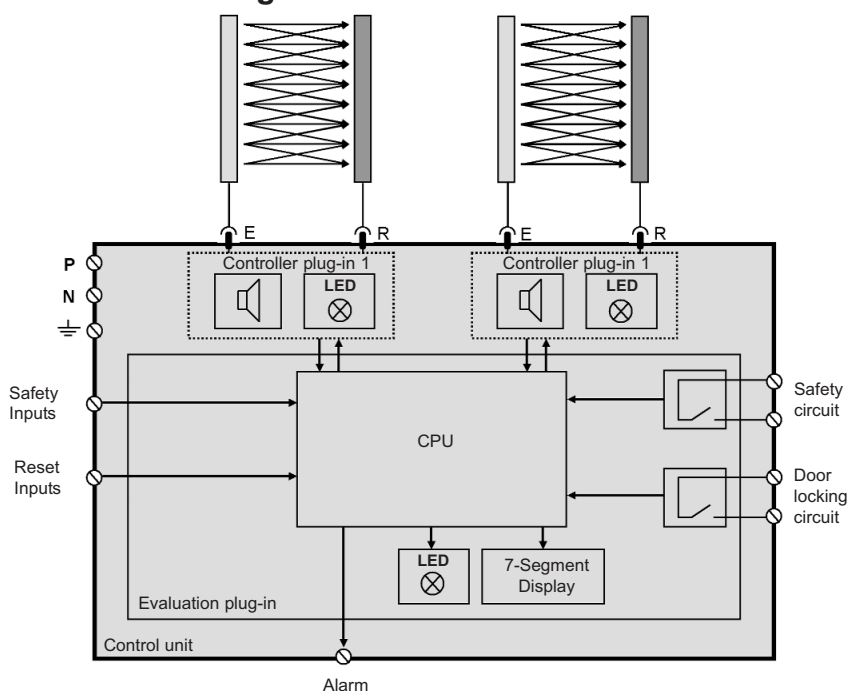
The optional mounting kits can be supplied as either a surface mounted model or as a back wall model. The latter has the advantage that the existing net door width can be maintained. The system is designed to survey one or two lift accesses.

cegard/Lift can be easily connected to almost all existing elevator controllers without the need for additional elevator cables to be installed.

Functions

- According to EN 62061: 2005, EN 61496-1, EN 61496-2: 2006 BWS type 2
- Perfectly suited for modernizations in elevators without car doors
- Simple integration with current elevator controllers
- Safety technical monitoring of light curtain and signals (from / to elevator controller)
- Monitoring of one or two elevator door-ways
- No adjustments or optical alignment necessary
- Simple mounting
- Self-calibrating

Block circuit diagram

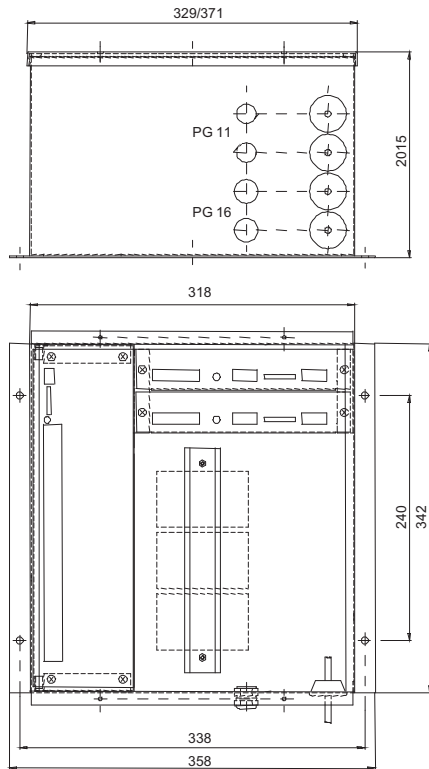


Technical Data

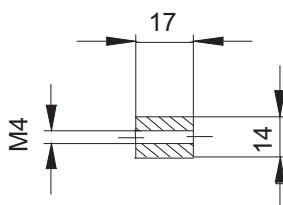
Power supply	195 ... 265 VAC
Current consumption	< 200 mA
Outputs	
- Alarm	24V / 100 mA
- Safety circuit	two channel Relay 230 VAC / 4 A
- Door locking circuit	LX: Door lock contactor 380 VAC / 16 A LY: Rectifier 230 VDC / 3 A
Response time output	< 150 ms, typ. 100 ms
Inputs	
- Safety inputs	12 ... 380 VAC / DC
- Reset inputs	12 ... 265 VAC / DC
Optical edges	
Cable length	6 m
Operating range	0.7 ... 4.0 m
No. of light beams	70 beams
Detection zone	1'908 mm
Enclosure rating	
- Control unit	IP 54
- Optical edges	IP 65
Temperature range	
- Operation	+10° ... +65°C
- Operation below +10°C	cegard/Lift LX/LY IP67

Technical drawing cegard/Lift LX, LY

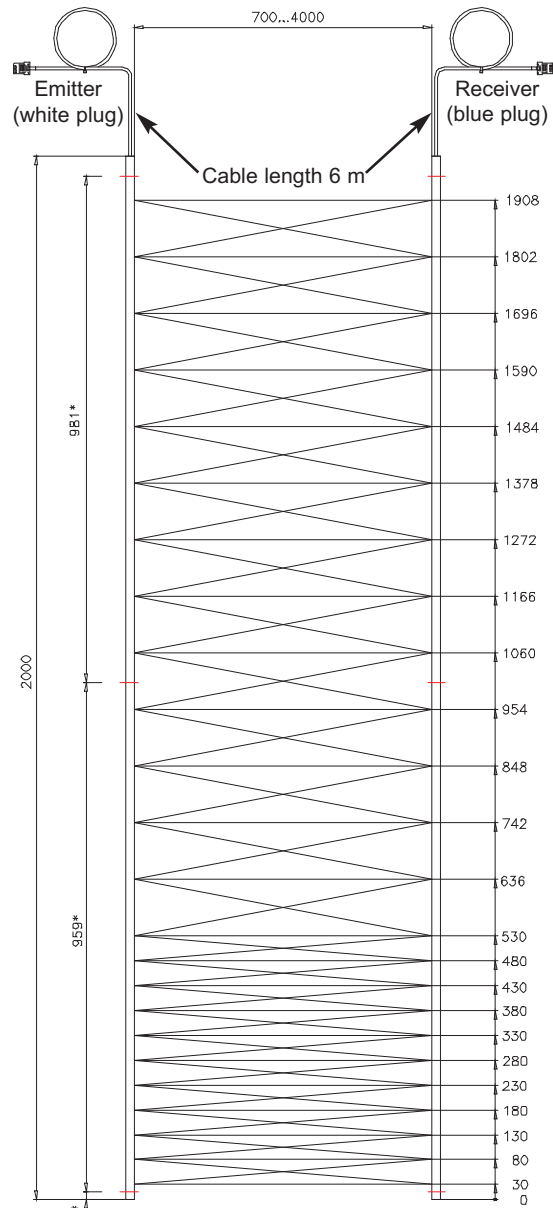
Robust control unit



*Cross section of optical edge



Optional: Through hole



- Optional:
- 46 beams
 - Operating range 4 ... 8 m
 - Protection height 2'012 mm

(All dimensions in mm)

Order Information

Part No.	Type	Description
102 804	cegard/Lift LX	Control unit incl. safety interface for one lift car entry with power switch 3 x 380 VAC / 16 A
102 805	cegard/Lift LX	Control unit incl. safety interface for two lift car entry with power switch 3 x 380 VAC / 16 A
upon request	cegard/Lift LY	Control unit incl. safety interface for one lift car entry for DC bolt magnets 230 VDC / 3 A
upon request	cegard/Lift LY	Control unit incl. safety interface for two lift car entry for DC bolt magnets 230 VDC / 3 A
102 809	cegard/Lift	Pair of optical edges, range 0.7 ... 4.0 m
upon request	cegard/Lift	Pair of optical edges, range 4.0 ... 8.0 m
upon request	Accessory	Mounting kit for back wall mounting, including drill pattern, drill, (stainless steel, painted yellow-black)
upon request	Accessory	Mounting kit for surface mounting inside the car, including drill pattern, drill, (stainless steel, painted yellow-black)
100 849	Accessory	Alarm buzzer for indicating emergency stop, surface mounted
Special design i.e. range 0.4 ... 1.5 m, other geometry of the optical edges, higher temperature range on demand!		
110721	Part No. 001 128 E	CEDES AG reserves the right to modify or change technical data without notice.