

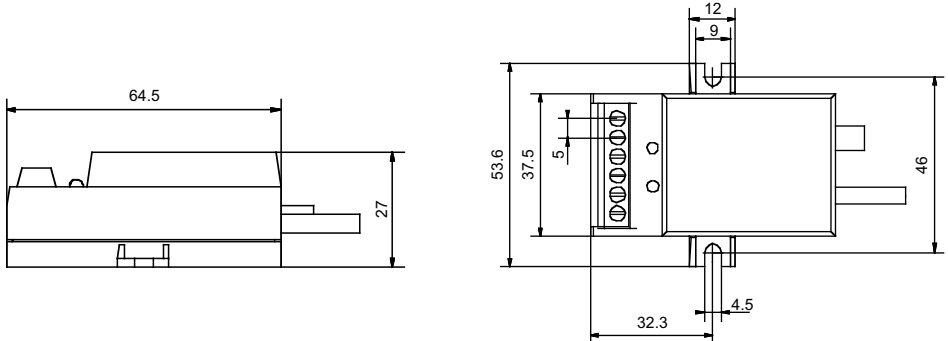
Instruction Manual Relay Module

Technical Data



Supply voltage	20.4 - 27.6 VDC
Ripple	10 % von U_{SP}
Current consumption	max. 20 mA (relay on)
Output	125 VAC / 9 A 277 VAC / 7 A 30 VDC / 7 A
Connection cable	- Supply voltage 2-wire, 0.25 mm ² , 1.0 (AWG 23) - Relay output 3-wire, 1.00 mm ² , 1.0 m (AWG 16)
Connection possibilities	- ELS: 263, 264, 268 and 269 - GLS: 126, 126 NT, 526 and 151 NT - MiniMax - Other sensors with semi conductor output (PNP or NPN)

Drawings



We

CEDES AG, CH-7302 Landquart / Switzerland

declare conformity in sole responsibility, for the interface modul **Relay**
according to the following Council Directive

EU	EMC	89 / 336 / EWG
	Modified	92 / 31 / EWG



Standards and Specifications
EN 12015, 12016

Electromagnetic compatibility - product family standard for elevators, escalators
and passenger conveyors - emission / immunity

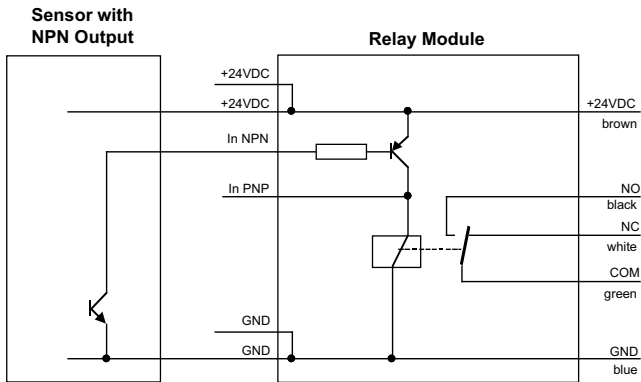
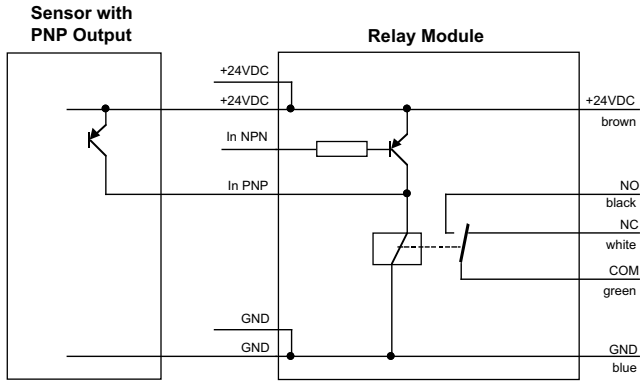
Use:

The bringing into service is only permitted after thorough checks are carried out to ensure that the equipment into which these products are built, meets the requirements of the regulations and directives relevant to that equipment.

Landquart, 1st July 2004
Beat De Coi, Managing Director

Instruction Manual Relay Module

Circuit diagram Relay (PNP / NPN)



Terminal assignment

